

height mm	weight kg	94/20EC approval no.	Rating D Value	Imposed load
138	115	E11 55R-01 7166	152kN	20 tonne
148	113	E11 55R-01 7166	152kN	20 tonne
161	115	E11 55R-01 7166	152kN	20 tonne
185	117	E11 55R-01 7166	152kN	20 tonne
210	122	E11 55R-01 7166	152kN	20 tonne
230	130	E11 55R-01 7166	152kN	20 tonne
257	133	E11 55R-01 7166	152kN	20 tonne

All with DIN/ISO mounting pattern

Fontaine reserve the right to change specifications without notice.

Handle options

Fontaine fifthwheels can be user-specified with a range of handle options including extended and interlock models. Air operation is also available.



Standard handle



Extended handle option



Interlock handle option

Mounting options

A wide range of mounting options is available, ensuring that Fontaine fifthwheels will fit any European chassis and suit any application.



DIN mount and mounting plate



Angle mount



Direct mount



Slider



MHT-Europe • Enterprise Way • Newton Road • Lowton • WA3 2AG • United Kingdom
 Tel: +44 (0) 1942 686000 • Fax: +44 (0) 1942 686006 • E-mail: sales@fontaineurope.com

150SP

2" pressed steel fifthwheel



150SP fifthwheel

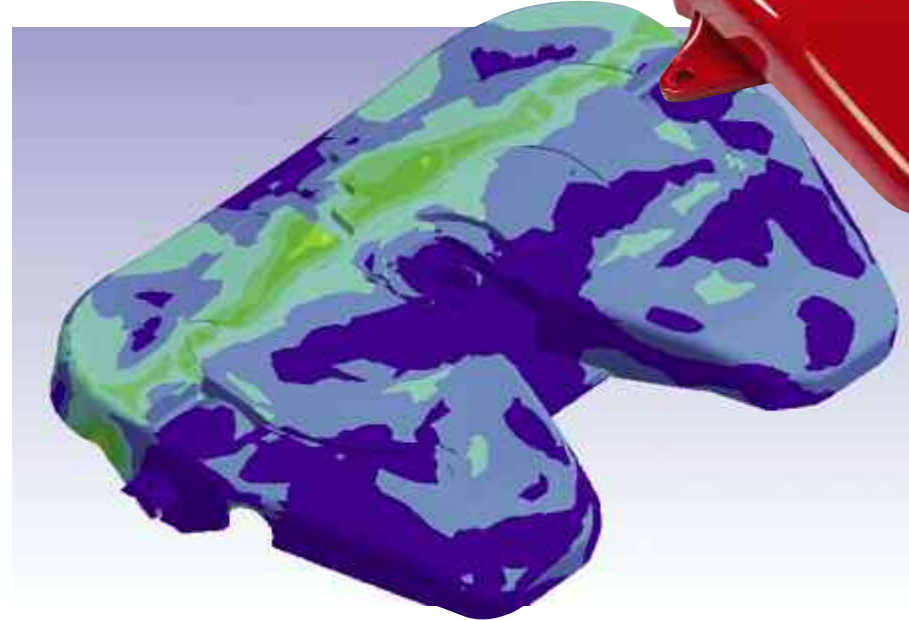
The TechLock® system



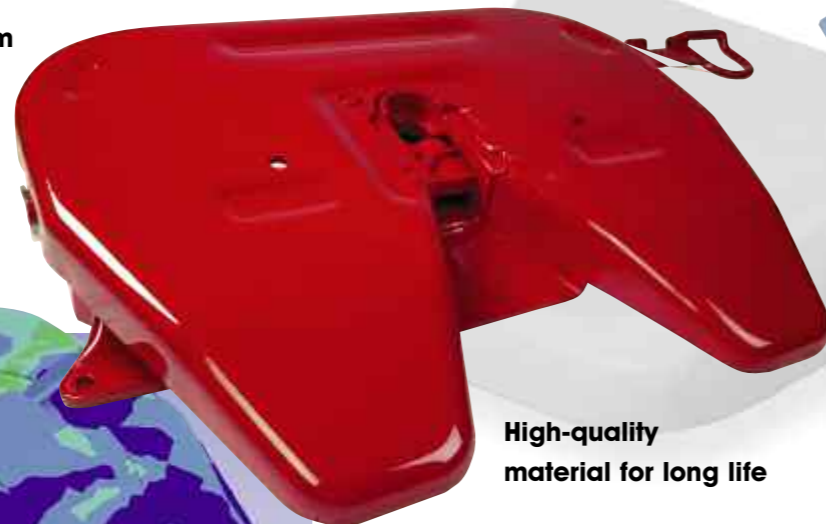
Global support



Patented TechLock® system with integral kingpin height sensor prevents false coupling

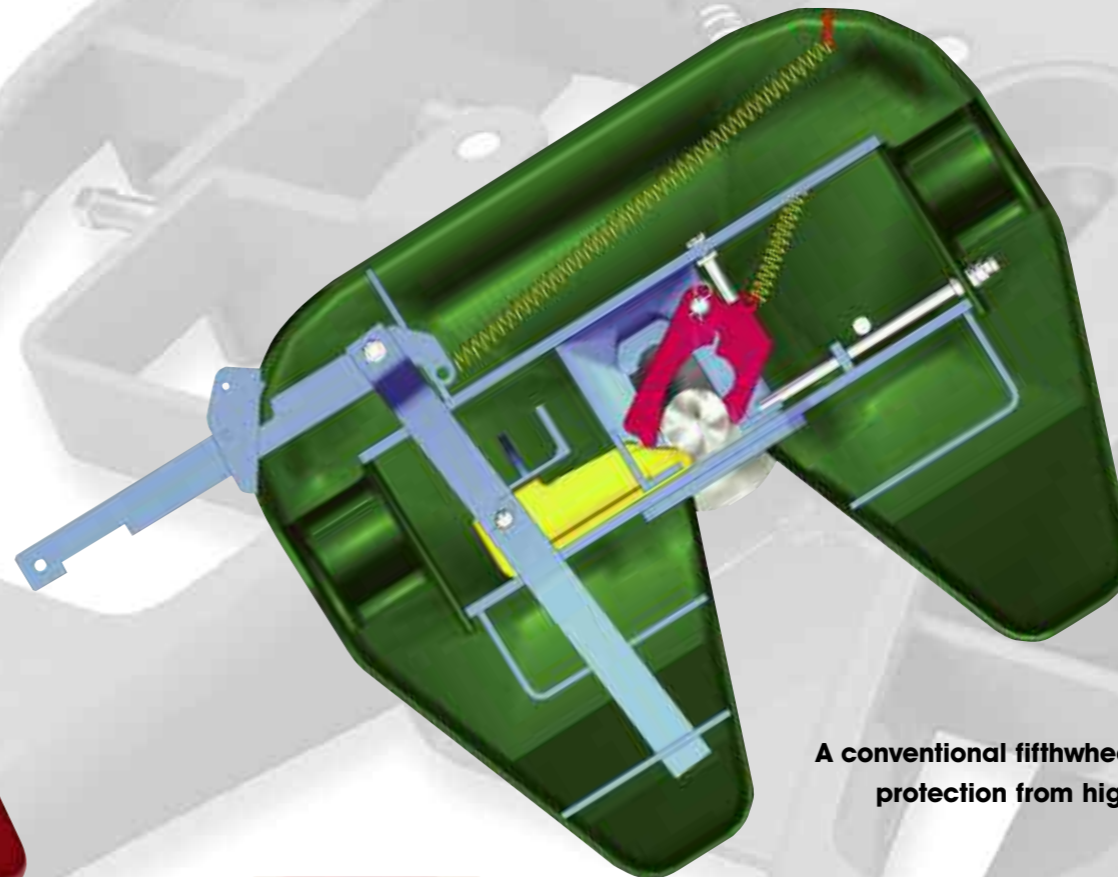


Designed with Finite Element Analysis for low weight and high strength



High-quality material for long life

WARRANTY - Full two-year warranty on parts and labour for all on-road applications



Fontaine's patented kingpin height sensor is at the heart of the TechLock® system. The mechanism will only lock when the kingpin enters at the correct height



A conventional fifthwheel offers no protection from high coupling



The TechLock® system also protects the jaw from high coupling

No contact - no couple

